

Intell-Lab Toploading Balances

- Intelligent Full Graphic Display
- Automatic Internal Calibration
- GLP/ISO Compliance Functionality
- Language Options
- Cast Aluminum and Steel Construction
- Dedicated Application Software



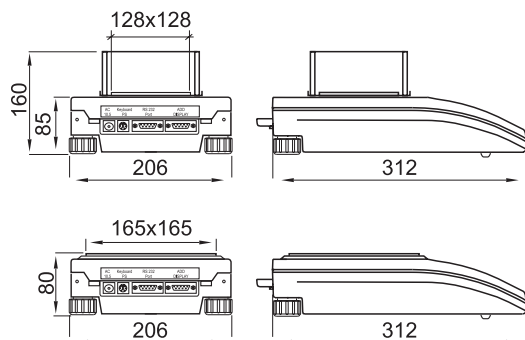
Model	WPX 250	WPX 450	WPX 650	WPX 1500	WPX 2500	WPX 4500
Capacity	250 g	450 g	650 g	1500 g	2500 g	4500 g
Readability	0.001 g			0.01 g		
Linearity (mg) (±)	±2 mg			±20 mg		
Repeatability (mg) (Std. Dev.)	1 mg			10 mg		
Sensitivity Drift	2 ppm / ° C (18° - 30° C)					
Stabilization Time (seconds)	3			2		
Weighing Units	g, mg, ct, lb, oz, oz t, dwt, Taels HK, Taels S, Taels T, mommes, gr, Newtons, tical, custom					
Functions	Counting, checkweighing, filling, percent weighing, animal weighing, solid & liquid density, formulation, statistics					
Tare Range	To capacity by subtraction					
Power Source	110 V, 230 V, 50 Hz, 8VA					
Construction	Cast aluminum and steel					
Display	Intelligent full graphic backlit display					
Pan Size	5 x 5 inches / 128 x 128 mm			6.5 x 6.5 inches / 165 x 165 mm		
Draft Shield Internal Dimensions (W x D x H)	5 x 5 x 3 inches / 128 x 128 x 75 mm			No draft shield available		
Dimensions (W x D x H)	8.1 x 12.8 x 6.3 inches / 206 x 312 x 160 mm			8.1 x 12.8 x 3.2 inches / 206 x 312 x 80 mm		
Operating Environment	+ 60° F to + 85° F / + 15° C to + 30° C					
Connectivity	RS232 bi-directional, keyboard selectable baud rate and transmission modes included. PS2 keyboard connection for rapid data entry					
Calibration	Automatic internal calibration: configurable for time period, internal temperature change or on demand – plus external calibration					
Net Weight (lb/kg)	10.6 lb / 4.8 kg			12.4 lb / 5.6 kg		
Shipping Weight (lb/kg)	21 lb / 9.5 kg			22 lb / 10 kg		
Options	Compact PS2 computer keyboard, printer, additional display, external tare and print keys, density kit for solids and liquids, stand for below balance weighing, anti-theft cable					

The Intell-Lab Series also includes a wide range of analytical balances.

Intelligent Weighing Technology offers you an exceptional selection...so you can choose exactly the right balance for your needs.

The Intelligent Investment.

WPX Series



Intelligent Weighing Technology, Inc.

www.intelligentwt.com